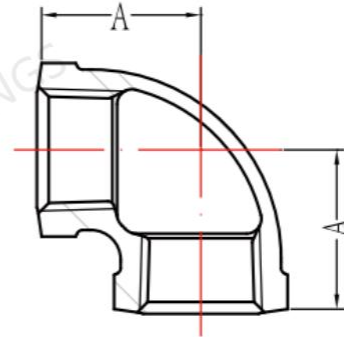


FIG. 90
ELBOW 90, EQUAL


Fitting size, package and your order quantity					Fig.90	
Size	A(mm)	PCS/CTN.	Size	A(mm)	PCS/CTN.	
1/8		600	1 1/2	48.5	48	
1/4	20	600	2	57	32	
3/8	24	500	2 1/2	68.5	16	
1/2	27	400	3	77.5	10	
3/4	32	210	4	96.5	6	
1	37	120	6	129	2	
1 1/4	44.5	64				

Pipe Fitting Standards and Technical Data							Fig.330
	CE	FM/UL	ABNT	ISO	BS	DIN	ISI
Standard	EN10242	ANSI/ASME B16.3 B16.14 B16.39	NBR6943	ISO49	BSEN10242	DIN2950	IS1879
Thread	EN10226	ANSI/ASME B.1.20.1 Or NPT	NBR NM – ISO7 -1	ISO 7-1* ISO 228*	BSEN10226 Or PT	DIN2999	IS554
Technical Data	Working pressure: 25 BAR/ 363PSI/ 2.5MPA/ CLASS 150/ PN25 Temperature: 200°C (392°F) Tensile Strength: ≥350MPA Elongation: ≥10% Hardness: ≤HB150						

Heavy Banded

*ISO7-1 is for pressure-tight joints on the threads, ISO228 is for pressure-tight joints not on the threads.