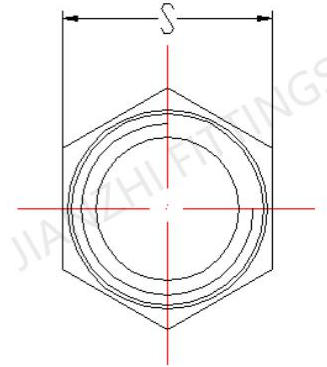
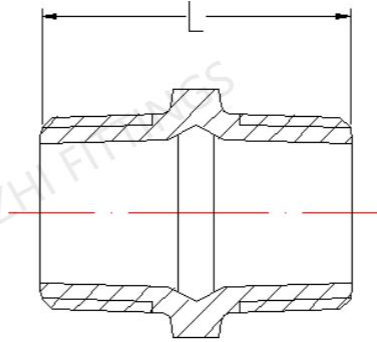


FIG. 280
NIPPLE, EQUAL, GALVANIZED


Fitting size, package and your order quantity							Fig.280
Size	L(mm)	S(mm)	PCS/CTN.	Size	L(mm)	S(mm)	PCS/CTN.
1/4	36	16.7	1000	1½	58	51	104
3/8	36	19.2	1000	2	68	63	56
1/2	44	23.6	600	2½	73	79.4	36
3/4	47	29.2	300	3	81	91.6	24
1	53	36	200	4	95	117	12
1¼	56	45	140				

Pipe Fitting Standards and Technical Data							Fig.280
	CE	FM/UL	ABNT	ISO	BS	DIN	ISI
Standard	EN10242	ANSI/ASME B16.3 B16.14 B16.39	NBR6943	ISO49	BSEN10242	DIN2950	IS1879
Thread	EN10226	ANSI/ASME B.1.20.1 Or NPT	NBR NM – ISO7 -1	ISO 7-1* ISO 228*	BSEN10226 Or PT	DIN2999	IS554
Technical Data	Working pressure: 25 BAR/ 363PSI/ 2.5MPA/ CLASS 150/ PN25 Temperature: 200°C (392°F) Tensile Strength: ≥350MPA Elongation: ≥10% Hardness: ≤HB150						

Heavy Banded

*ISO7-1 is for pressure-tight joints on the threads, ISO228 is for pressure-tight joints not on the threads.